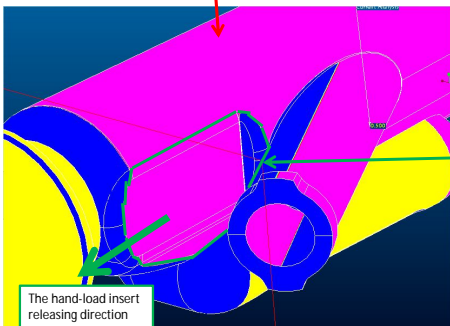
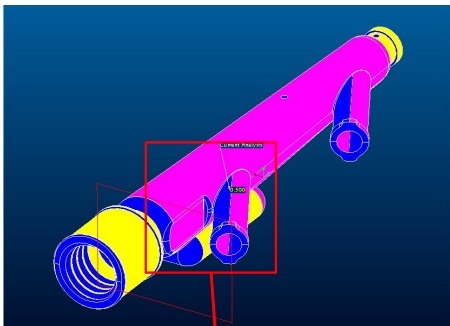
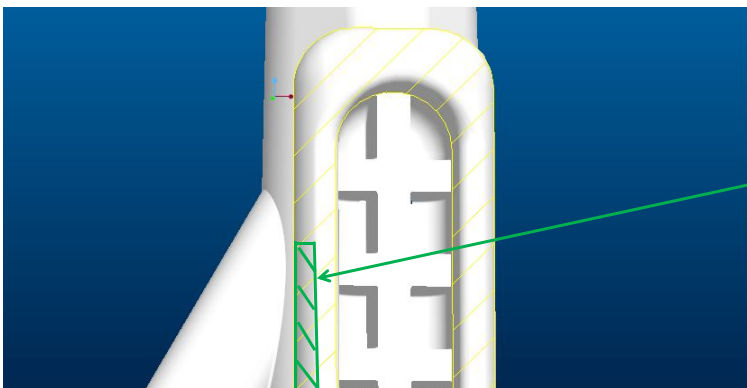


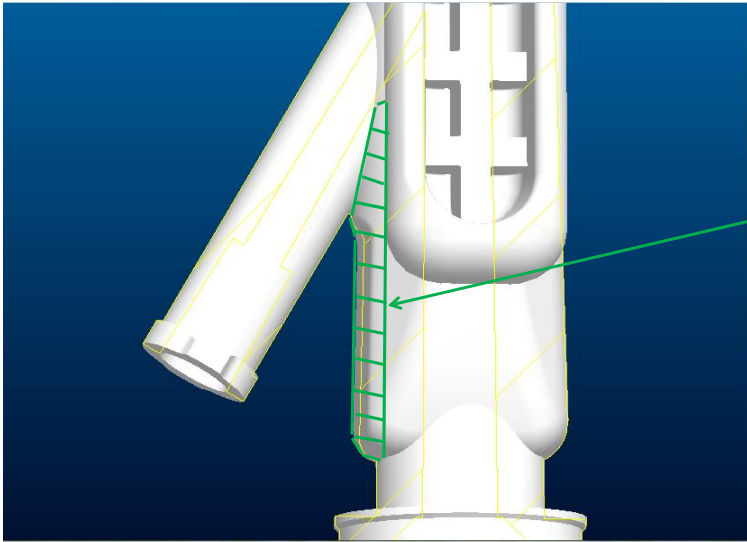
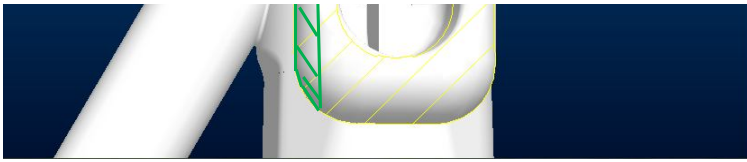
A.
We may revise the draft for the hand-load insert releasing.
The area of the hand-load insert is in the green curves.



B.
We may revise the draft for releasing the hand-load insert.
The area of the hand-load insert is in the green curves.



C.
We may reduce a little material from the green hatching area.



D.
We may reduce a little material from the green hatching area.

Our tool maker is checking the draft and then try to revise the draft on 3D model.
When we complete it, we will send the model for your approval.